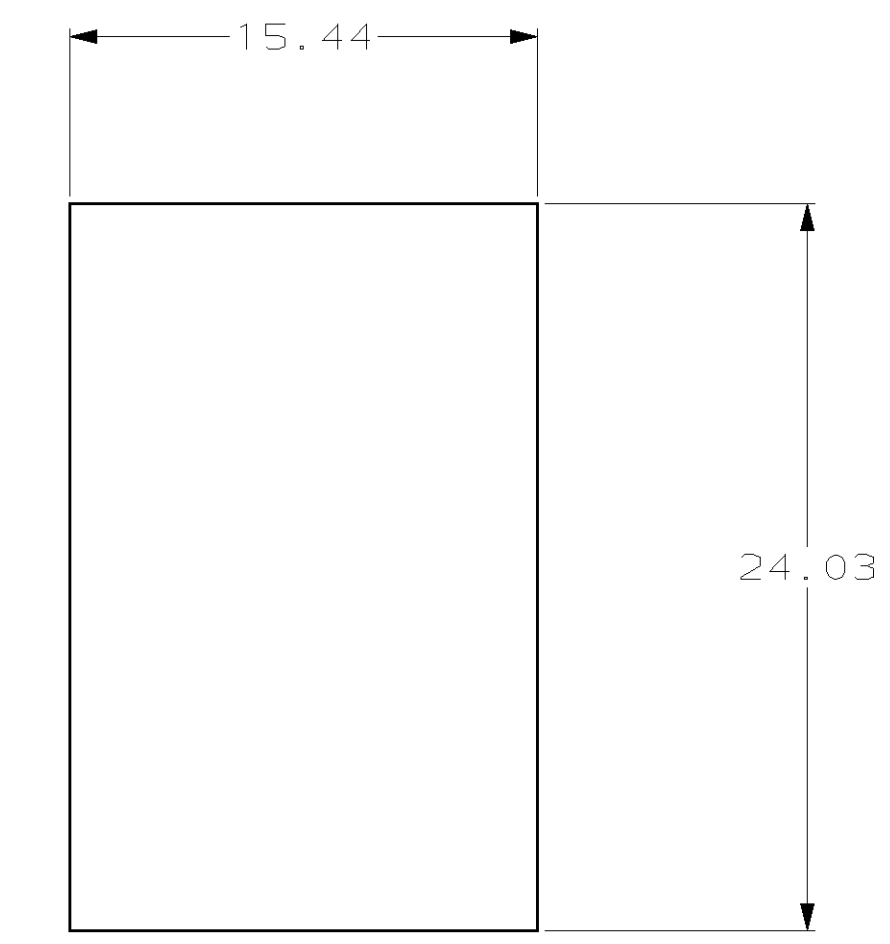
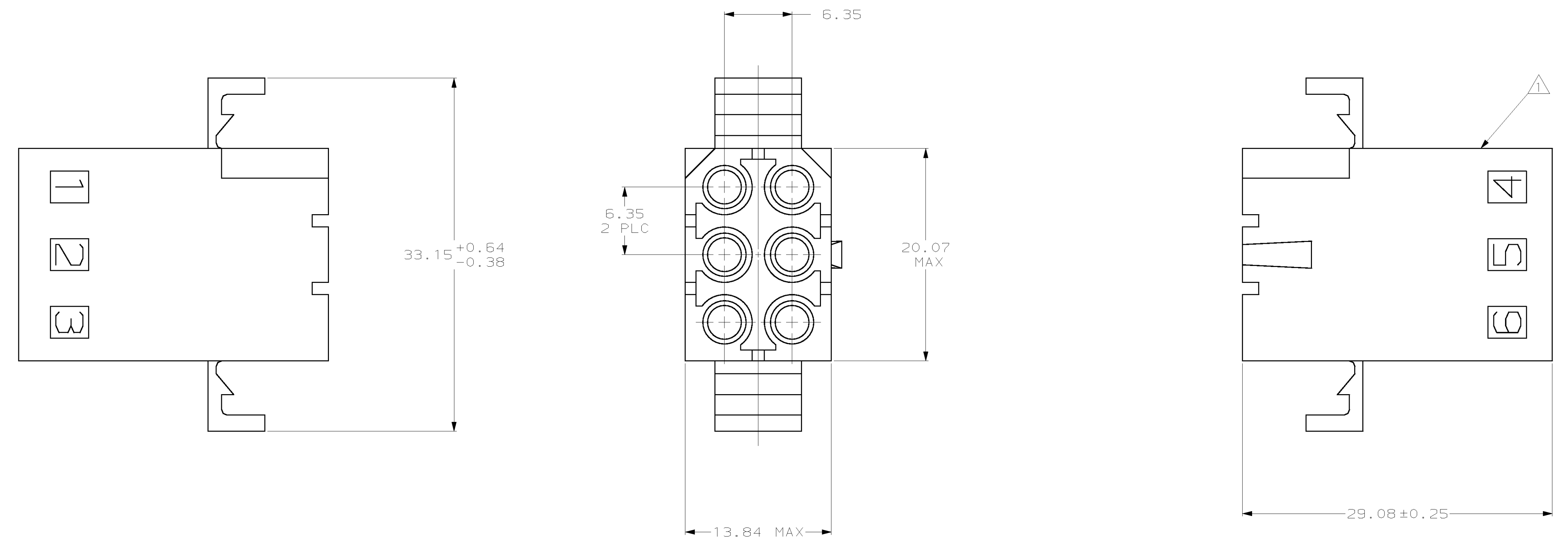
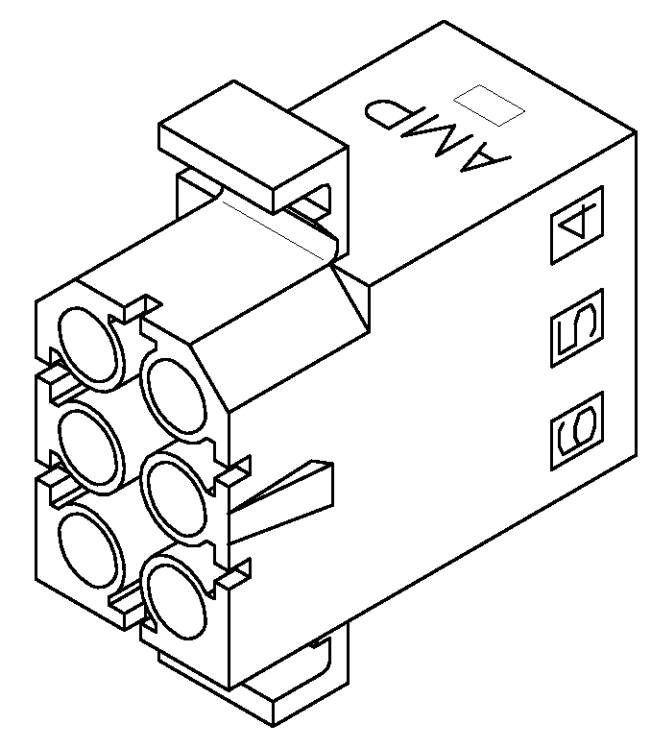


LOC		QTY		REVISIONS			
CM	53	TR	LTR	DESCRIPTION	DATE	OWN	APVD
		G		REV & REDWN PER EC	0L30-0270-97	12-11-97	KW RS

AMP LOGO AND CAVITY NUMBER LOCATED THIS SURFACE.



RECOMMENDED CUT OUT FOR 1.57 MAX THICK PANEL



3-DIMENSIONAL MODEL NTS

770372-1  
PART NUMBER

MM	IN	MM	IN
6.35	.250	33.15	1.305
1.57	.062	29.08	1.145
0.64	.025	24.03	.946
0.38	.015	20.07	.790
0.25	.010	15.44	.608
0.13	.005	13.84	.545
MM	IN	MM	IN

CONVERSION TABLE

**METRIC**

THIS DRAWING IS A CONTROLLED DOCUMENT.

DIMENSIONS:	TOLERANCES UNLESS OTHERWISE SPECIFIED:	DWN	K. WHITAKER	12-11-97
mm	0.13	CHK	R. SWING	12-11-97
0.13	0.13	APVD	K. CORLE	12-11-97
0.25	0.25	PRODUCT SPEC		
0.38	0.38	APPLICATION SPEC		
0.64	0.64	HEIGHT		
1.27	1.27	CUSTOMER DRAWING		

MATERIAL: NYLON, UL 94V-2, NATURAL FINISH: -

AMP Incorporated  
Harrisburg, PA 17105-3608

RECEPTACLE, PANEL MOUNT, 6 CIRCUIT, .250 PIN AND SOCKET

SIZE: A1 00779 C 770372

SCALE: 4:1 SHEET: 1 OF 1 REV: G